

JCH

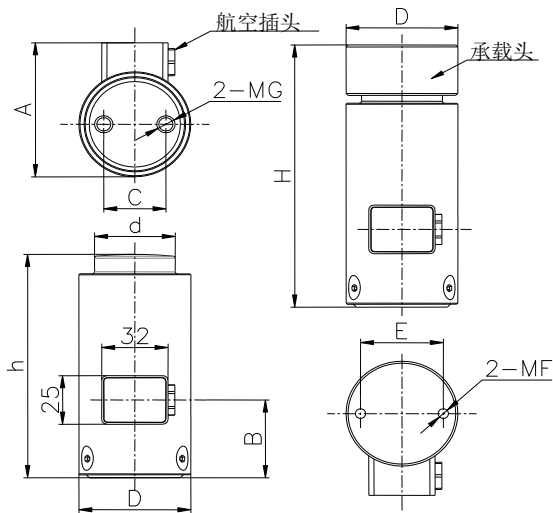
Force Transducer



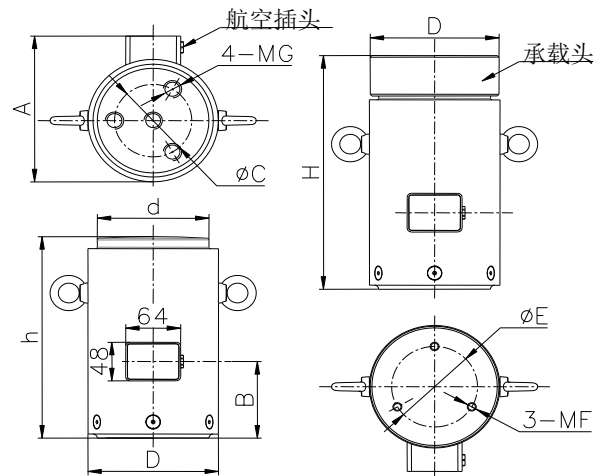
Special Features

- 压向传感器
Compressive transducer
- 额定载荷
Nominal (rated) forces
50kN, 100kN, 200 kN, 300kN, 500 kN,
1 MN, 2MN, 5 MN, 10 MN, 20MN, 50MN
- 结构紧凑
Compact size
- 本体质量轻
Low weight

主要尺寸 Schematic diagram T197 force transducer



50~3000kN



5000~50000kN

Capacity (kN)	A	B	C	D	d	E	H	h	F	G
50,100,200,500	69	40	30	54	39	40	135	115	M6 深 10	M8 深 12
1000	93	60	40	78	60	50	175	150	M6 深 10	M12 深 20
2000	121	60	60	103	85	75	240	210	M10 深 16	M16 深 25
3000	145	70	75	125	105	90	290	250	M10 深 16	M16 深 25
5000	180	95	90	150	130	100	370	330	M10 深 16	M20 深 30
10000	245	125	120	215	190	120	450	400	M10 深 16	M20 深 30
20000	318	150	200	295	260	200	650	570	M12 深 20	M24 深 40
50000	487	185	300	455	420	300	800	600	M12 深 20	M24 深 40

技术参数 Specifications

品名	Specifications	技术指标/Technique
额定容量	Capacity	50,100,200,500,1000,2000,3000,5000 10000, 20000, 50000 kN
输出灵敏度	Rated output	~2.0mV/V
零点输出	Zero balance	±1%F.S.
非线性	Non-linearity	0.02%,0.05%,0.1%,0.3% F.S.
滞后	Hysteresis	0.02%,0.05%,0.1%,0.3% F.S.
重复性	Repeatability	0.02%,0.05%,0.1%,0.3% F.S.
蠕变 (30min)	Creep(300min)	0.02%,0.05%,0.1%,0.3% F.S.
温度灵敏度漂移	Temp.effect on output	0.05%F.S./10℃
零点温度漂移	Temp.effect on zero	0.05%F.S./10℃
输入电阻	Input impedance	760±20Ω
输出电阻	Output impedance	700±10Ω
绝缘电阻	Insulation	≥5000MΩ/100VDC
激励电压	Recommended excitation	5V
最大激励电压	Maximum excitation	15V
温度补偿范围	Compensated temp range	-10~60℃
工作温度范围	Operation temp range	-30~70℃
安全超载	Safe overload	150%F.S.
极限超载	Ultimate overload	300%F.S.
电缆线尺寸	Cable size	φ5.4×6000mm
材料	Material	合金钢&不锈钢
防护等级	IP class	IP67

接线方式和受力方向

Pin assignment & Loading direction

